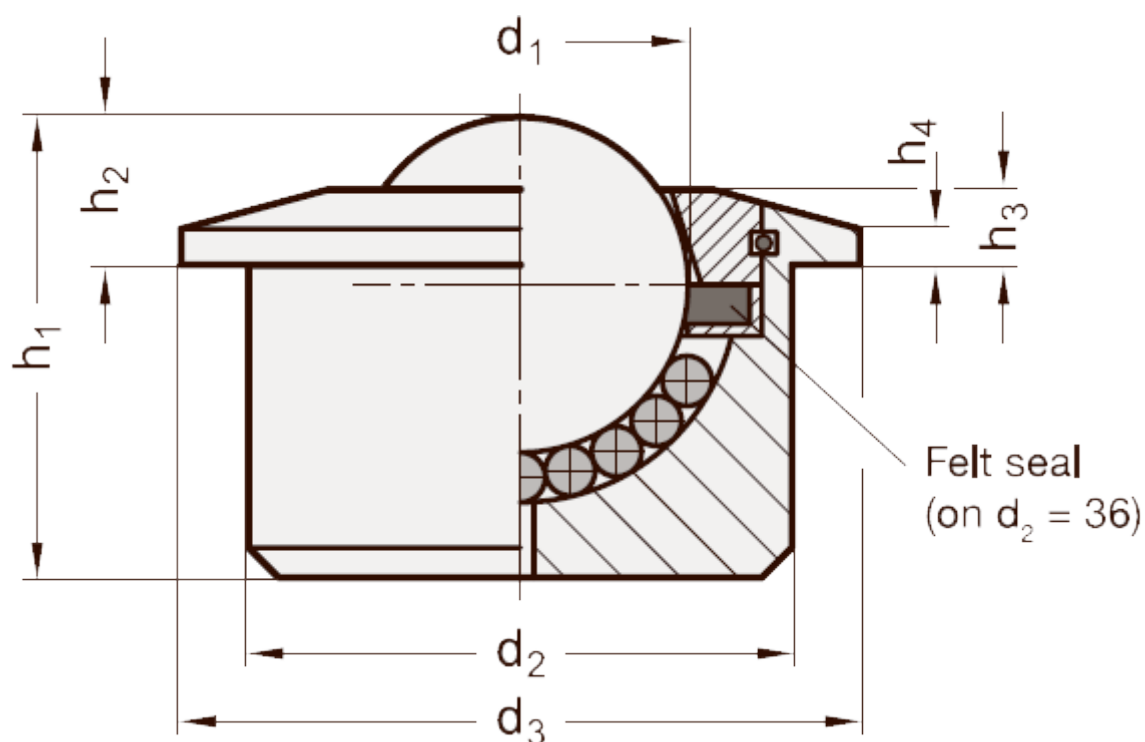


Article number: 20608015

Description: E+G Ball transfer unit
GN 509.1-15-SNI

Measures



d_1	= 15.8	Size	= 15
$d_2 \pm 0.08$	= 24	Weight in (g)	= 50
d_3	= 30		
$h_1 \pm 0.3$	= 20		
$h_2 \pm 0.3$	= 8.1		
$h_3 \pm 0.3$	= 3.5		
h_4	= 1		
Max load (N)	= 400		